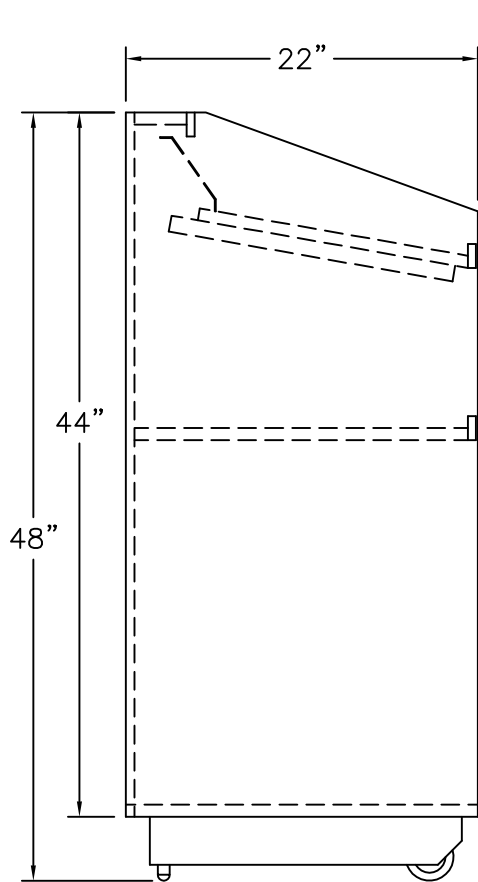
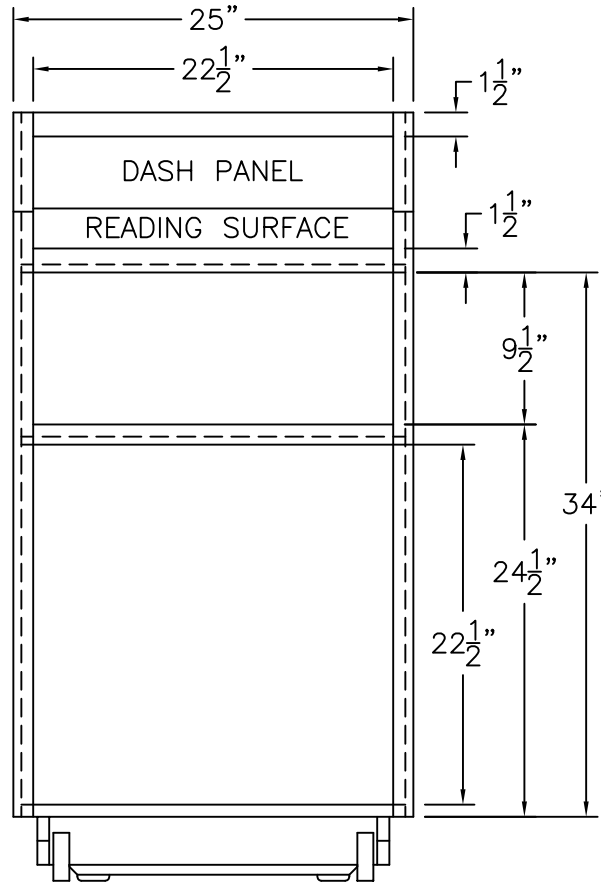


THIS PRINT SUPERSEDES  
ANY PRINT DATED PRIOR TO:  
9-30-02

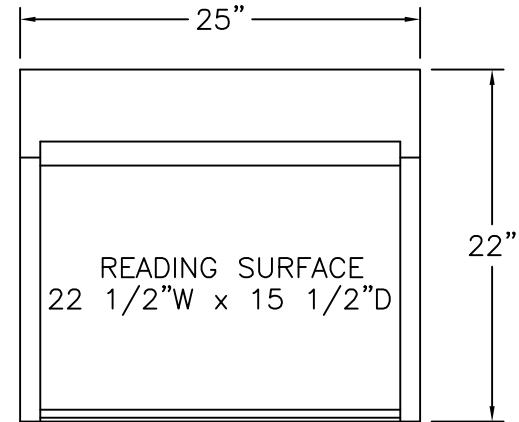
NO:



SIDE VIEW



BACK VIEW



TOP VIEW

SCALE: 1=12	DRAWN BY: K.J.L.	DATE: 9-30-02	APP'D BY:	DATE:
----------------	---------------------	------------------	-----------	-------

MATERIAL NO: N/A	FINISH: N/A	CAD
---------------------	----------------	-----

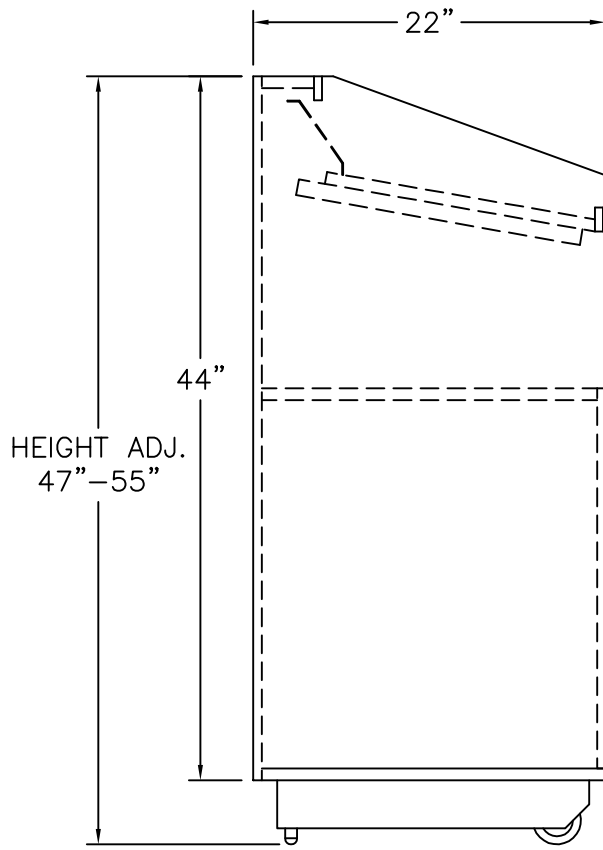
NAME: LECTERN, LEXINGTON 25" FLR

DA-LITE SCREEN CO. WARSAW, INDIANA, USA	NO:
--	-----

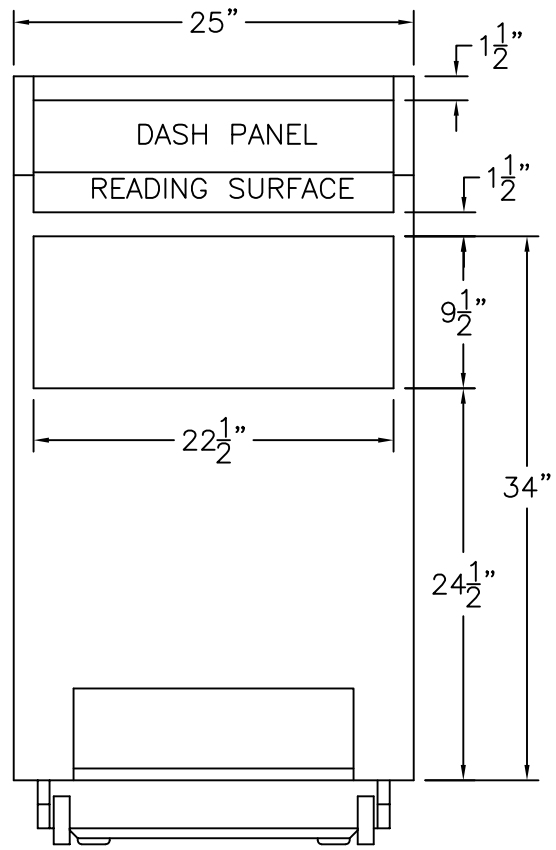
REVISION				
REVISED BY:				
APP'D BY:				

THIS PRINT SUPERSEDES  
ANY PRINT DATED PRIOR TO:  
9-30-02

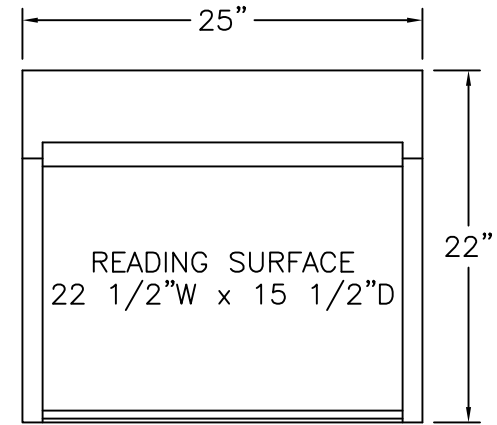
NO:



SIDE VIEW



BACK VIEW



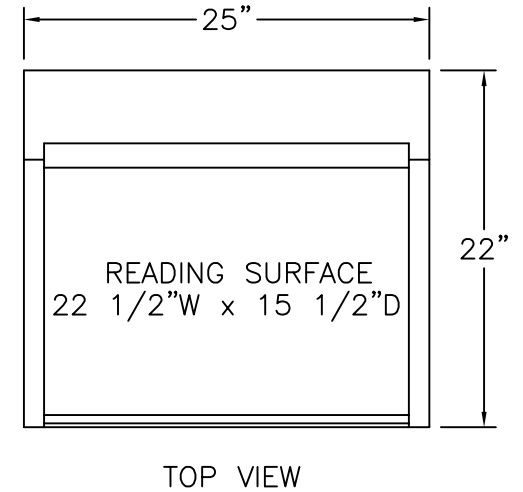
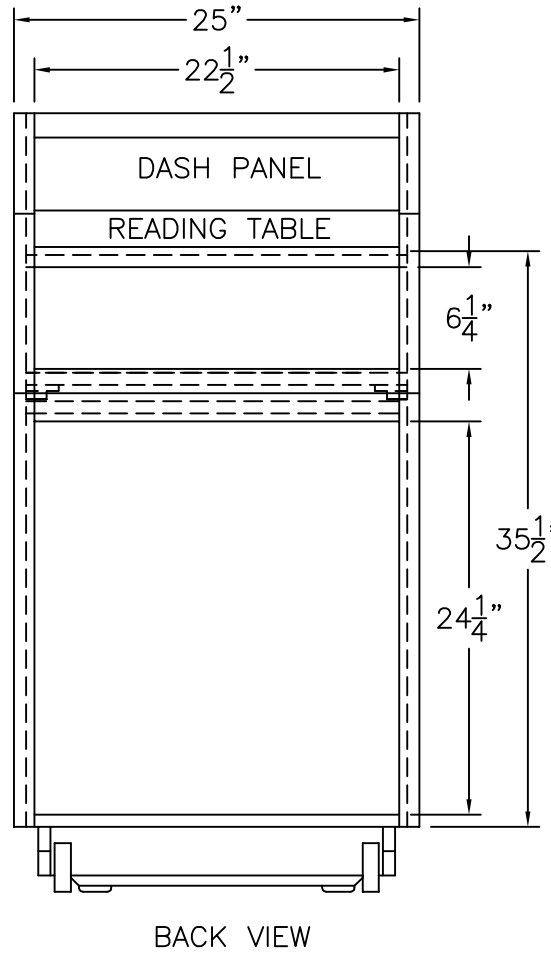
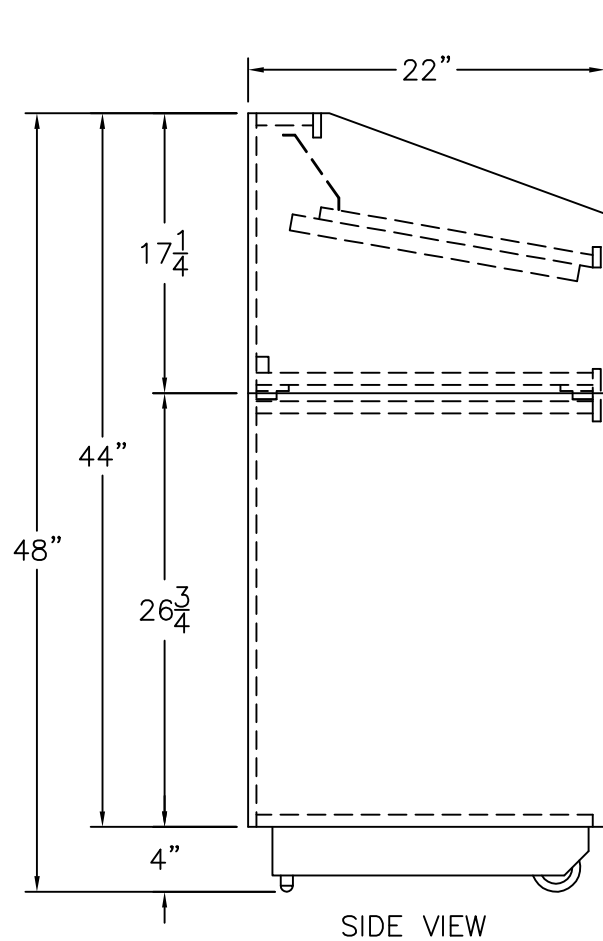
TOP VIEW

REVISION				
REVISED BY:				
APP'D BY:				

SCALE: 1=12	DRAWN BY: K.J.L.	DATE: 9-30-02	APP'D BY:	DATE:
MATERIAL NO: N/A	FINISH: N/A		CAD	
NAME: LECTERN, LEXINGTON 25" ADJ.				
DA-LITE SCREEN CO. WARSAW, INDIANA, USA			NO:	

THIS PRINT SUPERSEDES  
ANY PRINT DATED PRIOR TO:  
10-7-02

NO:

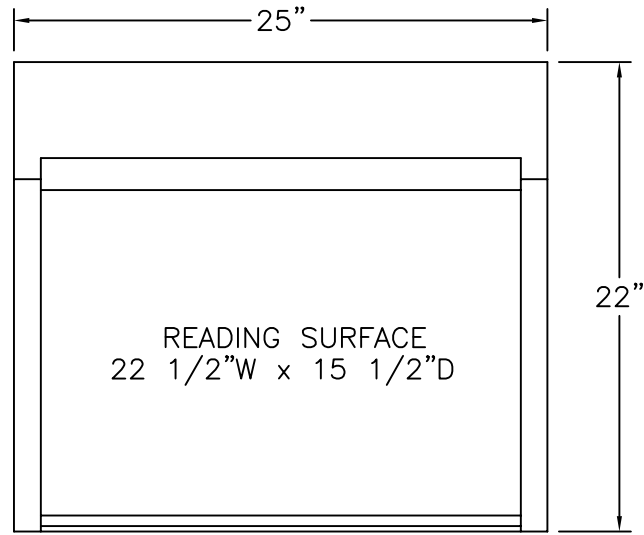


REVISION				
REVISED BY:				
APP'D BY:				

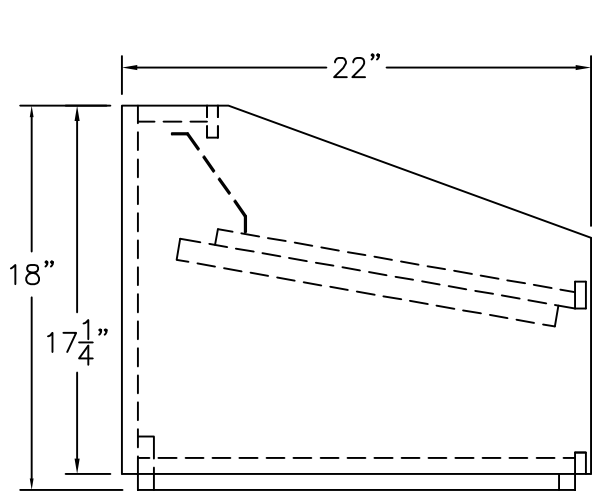
SCALE: 1=12	DRAWN BY: K.J.L.	DATE: 10-7-02	APP'D BY:	DATE:
MATERIAL NO: N/A	FINISH: N/A		CAD	
NAME: LECTERN, LEXINGTON 25" STACKING				
DA-LITE SCREEN CO. WARSAW, INDIANA, USA			NO:	

THIS PRINT SUPERSEDES  
ANY PRINT DATED PRIOR TO:  
10-9-02

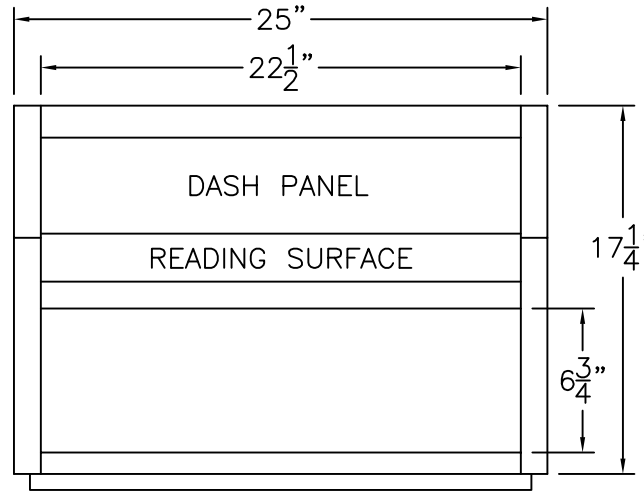
NO:



TOP VIEW



SIDE VIEW



BACK VIEW

SCALE: 1=9	DRAWN BY: K.J.L.	DATE: 10-9-02	APP'D BY:	DATE:
---------------	---------------------	------------------	-----------	-------

MATERIAL NO: N/A	FINISH: N/A	CAD
---------------------	----------------	-----

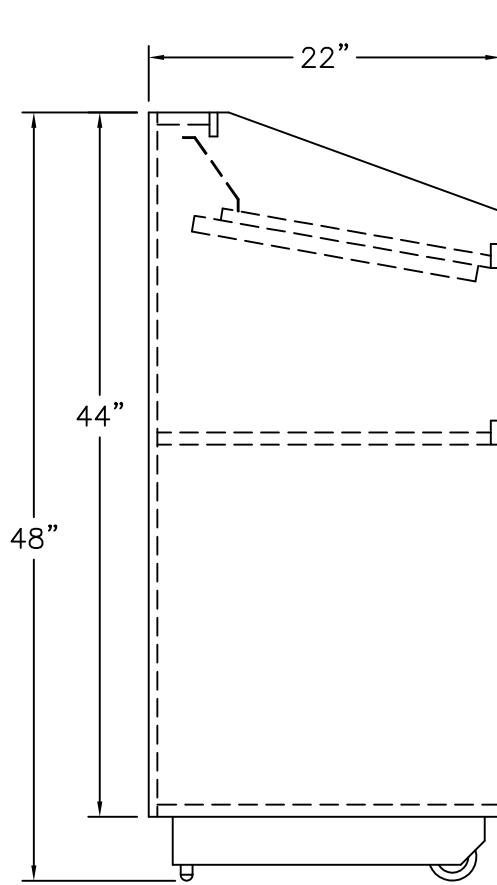
NAME: LECTERN, LEXINGTON 25" TABLE

DA-LITE SCREEN CO. WARSAW, INDIANA, USA	NO:
--	-----

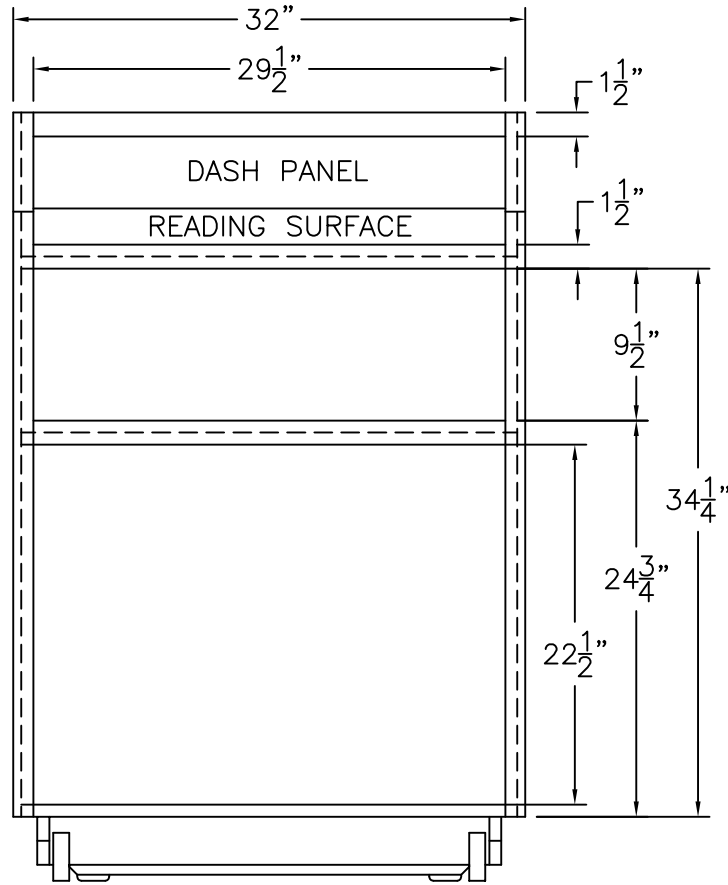
REVISION				
REVISED BY:				
APP'D BY:				

THIS PRINT SUPERSEDES  
ANY PRINT DATED PRIOR TO:  
9-30-02

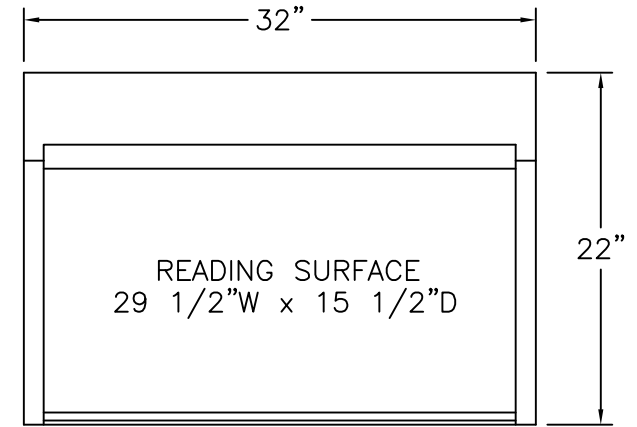
NO:



SIDE VIEW



BACK VIEW



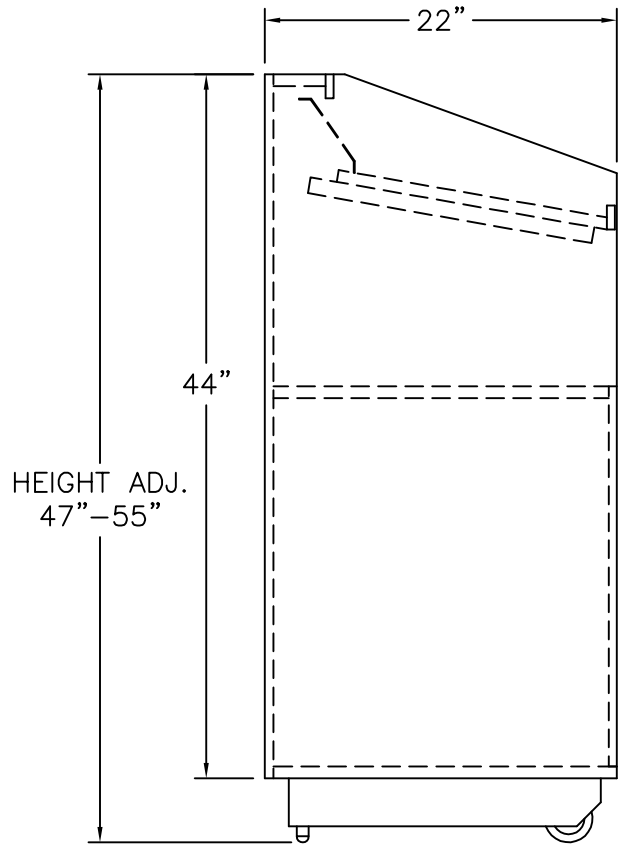
TOP VIEW

REVISION				
REVISED BY:				
APP'D BY:				

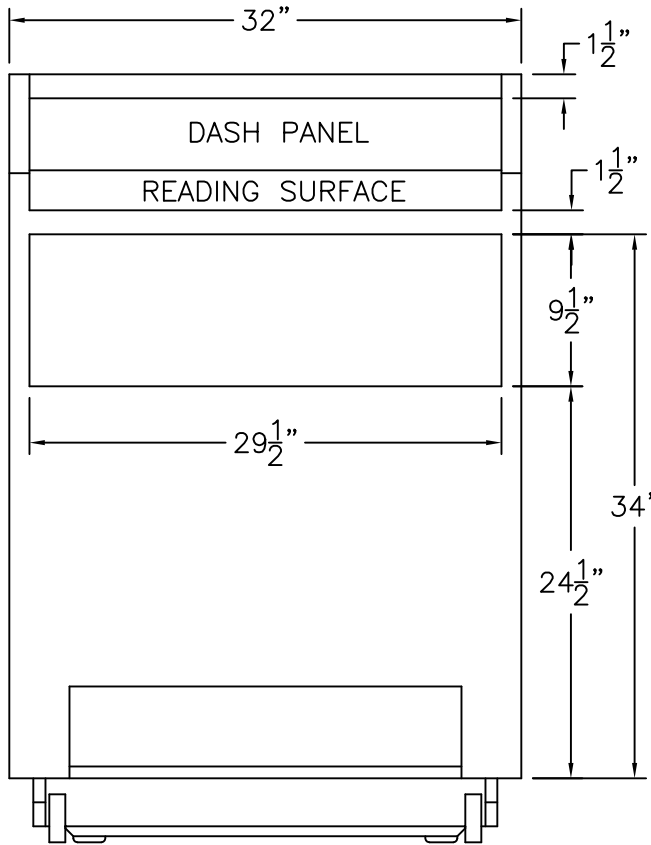
SCALE: 1=12	DRAWN BY: K.J.L.	DATE: 9-30-02	APP'D BY:	DATE:
MATERIAL NO: N/A	FINISH: N/A		CAD	
NAME: LECTERN, LEXINGTON 32" FLR				
DA-LITE SCREEN CO. WARSAW, INDIANA, USA			NO:	

THIS PRINT SUPERSEDES  
ANY PRINT DATED PRIOR TO:  
9-30-02

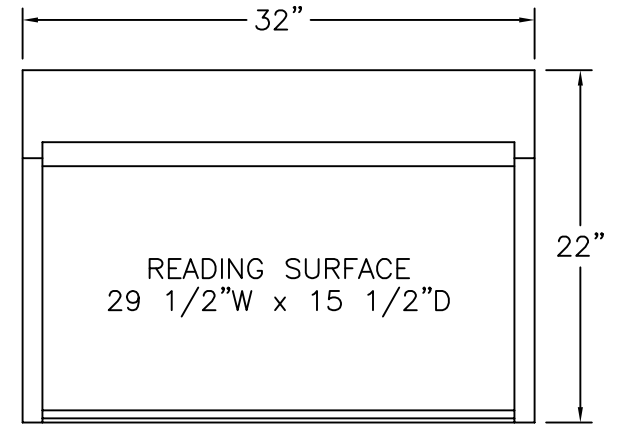
NO:



SIDE VIEW



BACK VIEW



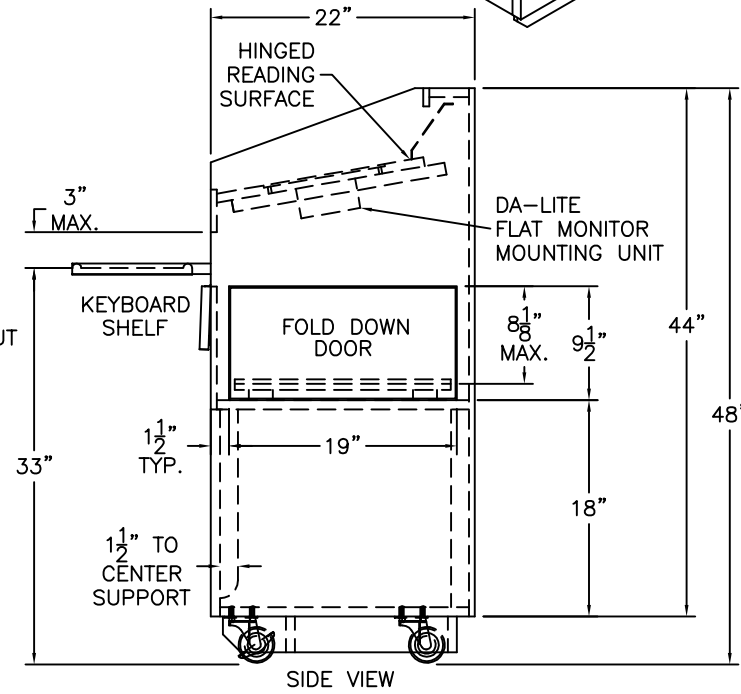
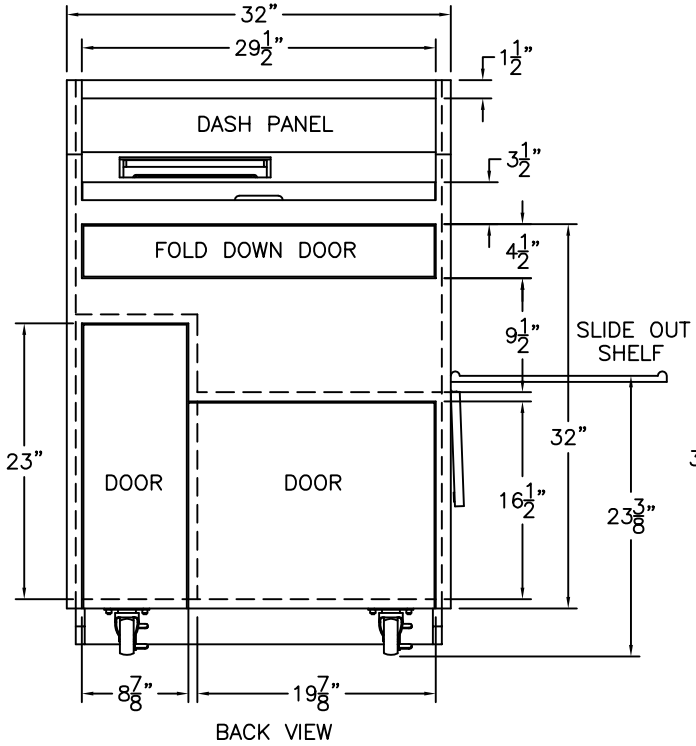
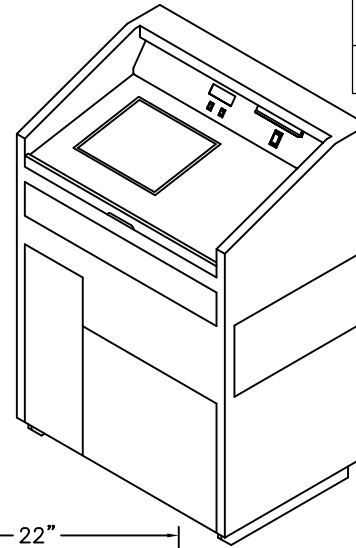
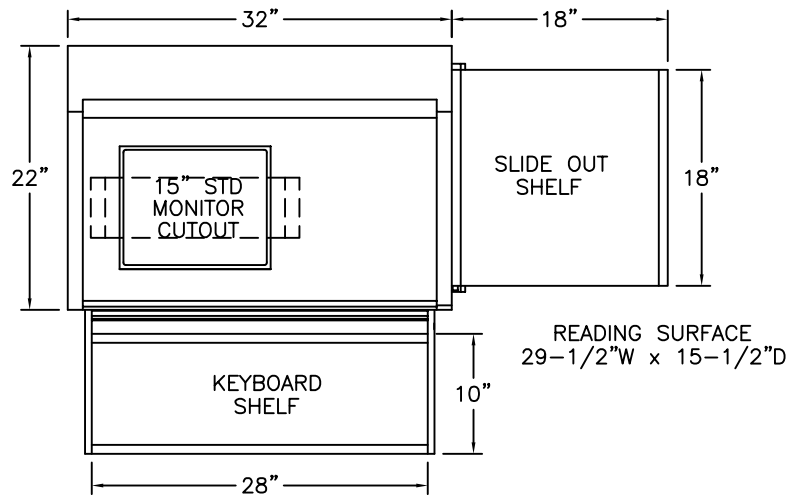
TOP VIEW

REVISION				
REVISED BY:				
APP'D BY:				

SCALE: 1=12	DRAWN BY: K.J.L.	DATE: 9-30-02	APP'D BY:	DATE:
MATERIAL NO: N/A	FINISH: N/A		CAD	
NAME: LECTERN, LEXINGTON 32" ADJ.				
DA-LITE SCREEN CO. WARSAW, INDIANA, USA			NO:	

THIS PRINT SUPERSEDES  
ANY PRINT DATED PRIOR TO:  
7-9-04

NO:



SIDE VIEW

SCALE: 1=16 DRAWN BY: K.J.L. DATE: 7-9-04 APP'D BY: DATE:

MATERIAL NO: N/A FINISH: N/A CAD

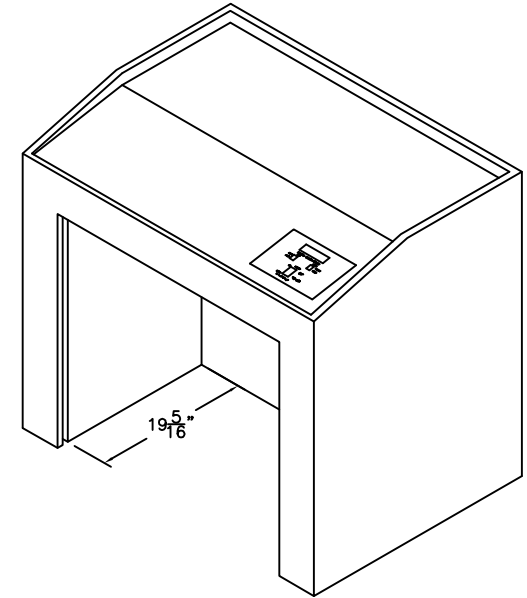
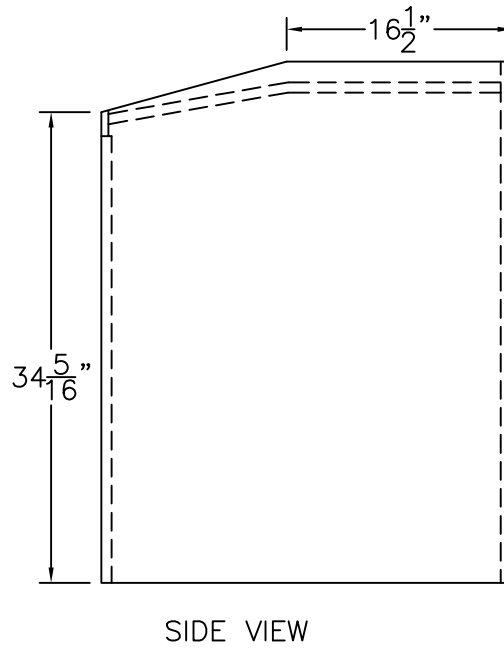
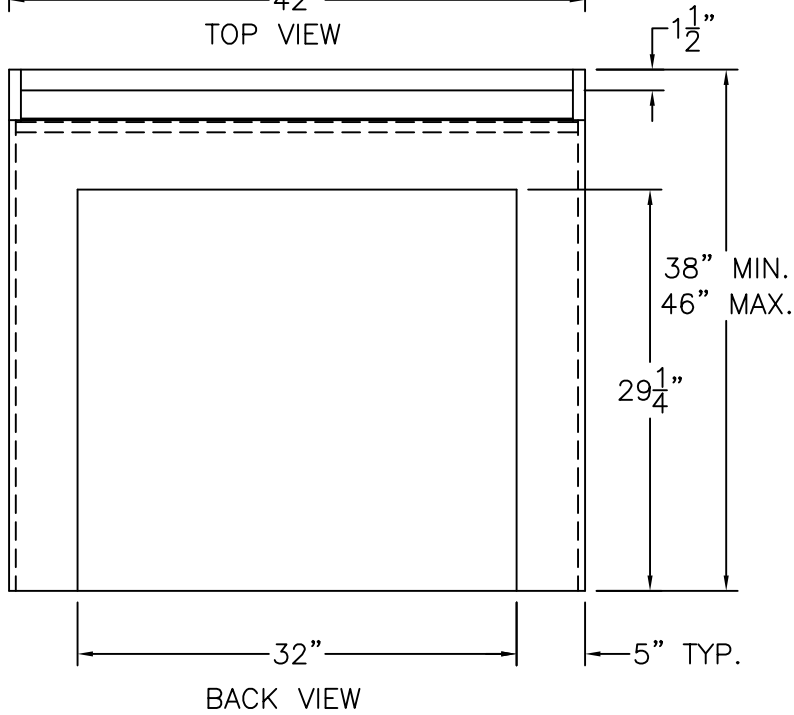
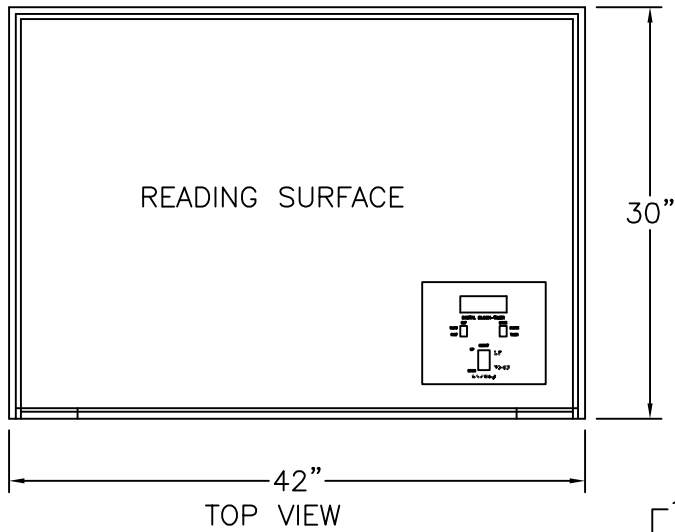
NAME: LEXINGTON 32" MULTI-MEDIA LECTERN

DA-LITE SCREEN CO. NO: WARSAW, INDIANA, USA

REVISION				
REVISED BY:				
APP'D BY:				

THIS PRINT SUPERSEDES  
ANY PRINT DATED PRIOR TO:  
9-30-02

NO:



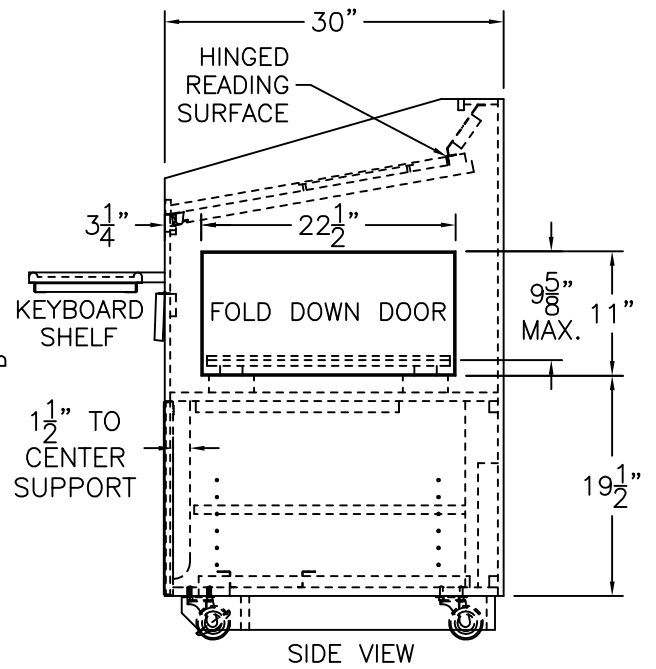
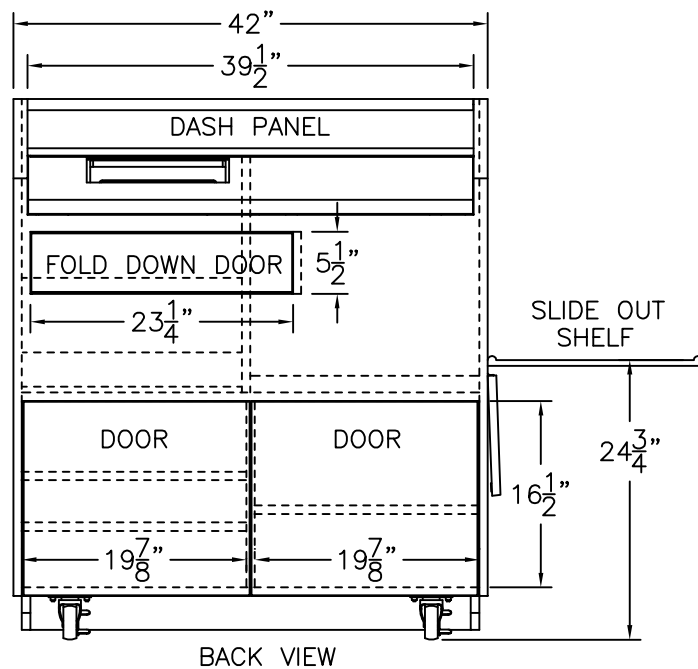
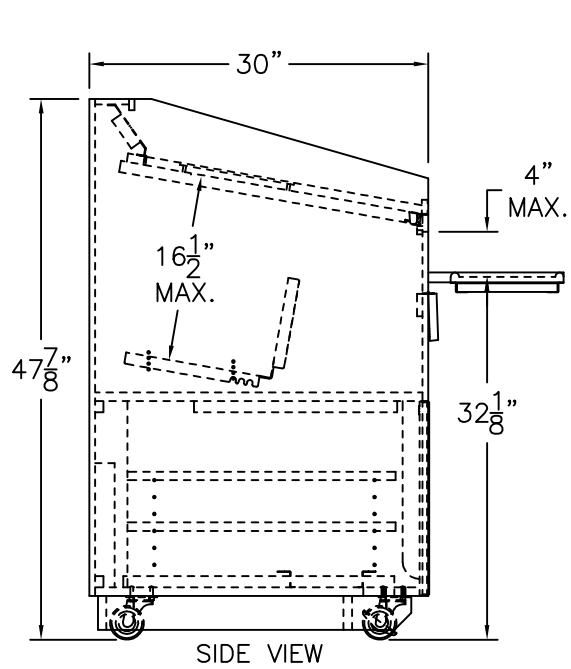
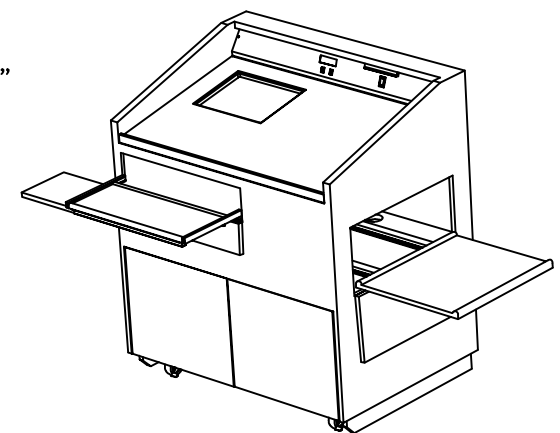
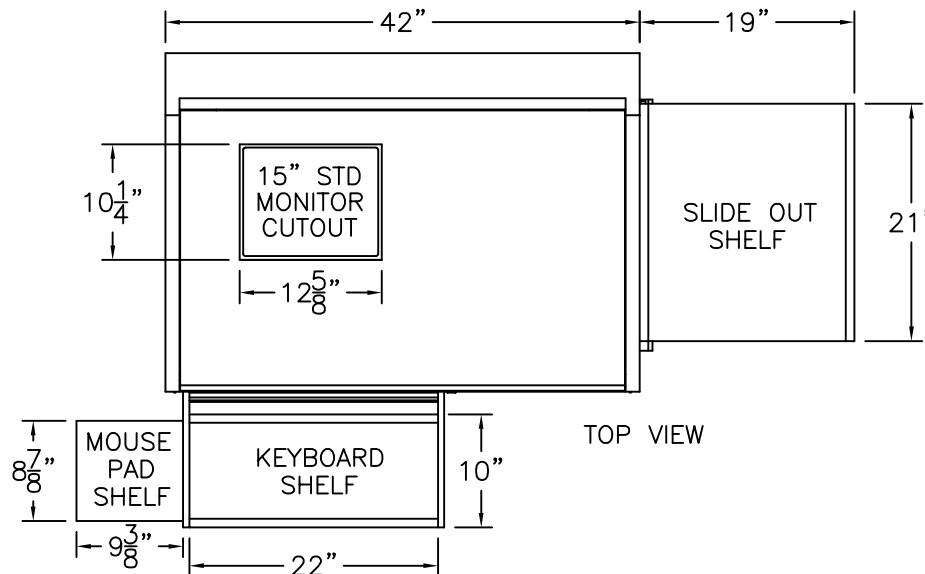
SCALE: 1=14	DRAWN BY: K.J.L.	DATE: 9-30-02	APP'D BY:	DATE:
MATERIAL NO: N/A	FINISH: N/A		CAD	
NAME: ADA LECTERN, 42"W LEXINGTON				
DA-LITE SCREEN CO. WARSAW, INDIANA, USA			NO:	

REVISION				
REVISED BY:				
APP'D BY:				



THIS PRINT SUPERSEDES  
ANY PRINT DATED PRIOR TO:  
7-9-04

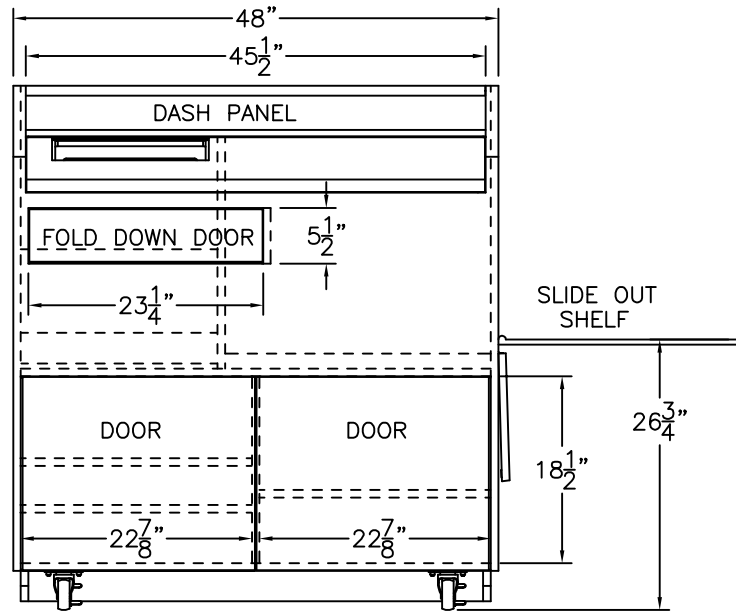
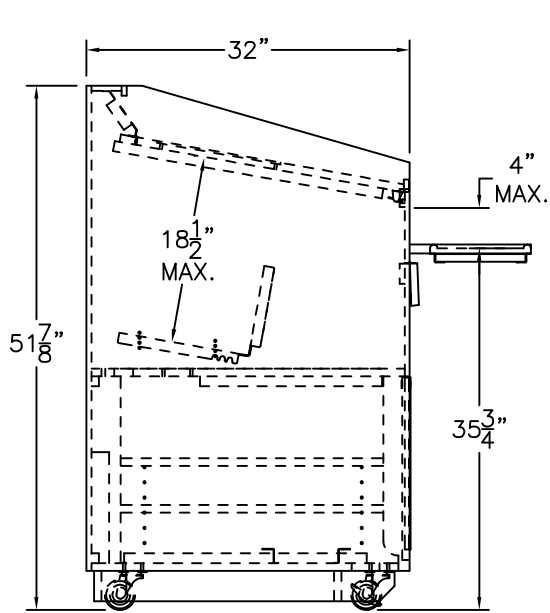
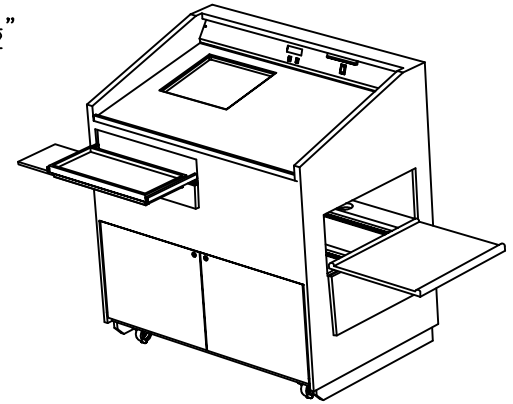
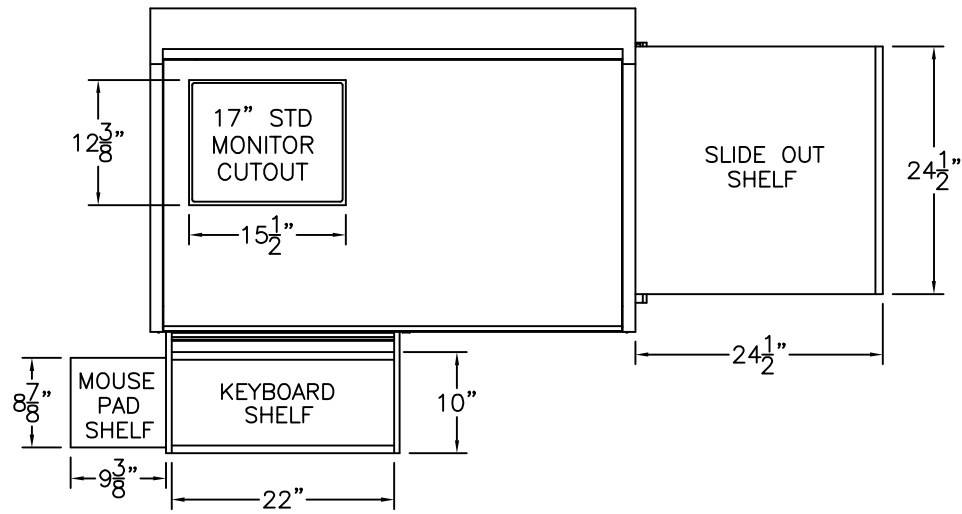
NO:  
7-9-04



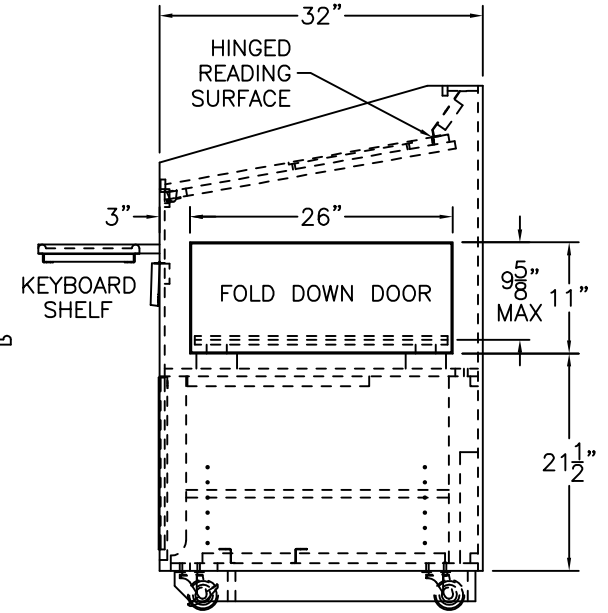
REVISION				
REVISED BY:				
APP'D BY:				

SCALE: 1=17	DRAWN BY: K.J.L.	DATE: 7-9-04	APP'D BY:	DATE:	CAD
NAME: LEXINGTON 42" MULTI-MEDIA LECTERN					
DA-LITE SCREEN CO. INC. WARSAW, INDIANA, USA				NO:	

THIS PRINT SUPERSEDES ANY PRINT DATED PRIOR TO: 7-9-04  
 NO: 7-9-04



BACK VIEW



SCALE: 1=19	DRAWN BY: K.J.L.	DATE: 7-9-04	APP'D BY:	DATE:
MATERIAL NO: N/A	FINISH: N/A		CAD	
NAME: LEXINGTON, 48" MULTI-MEDIA LECTERN				
DA-LITE SCREEN CO.			NO:	
WARSAW, INDIANA, USA				

REVISION				
REVISED BY:				
APP'D BY:				